

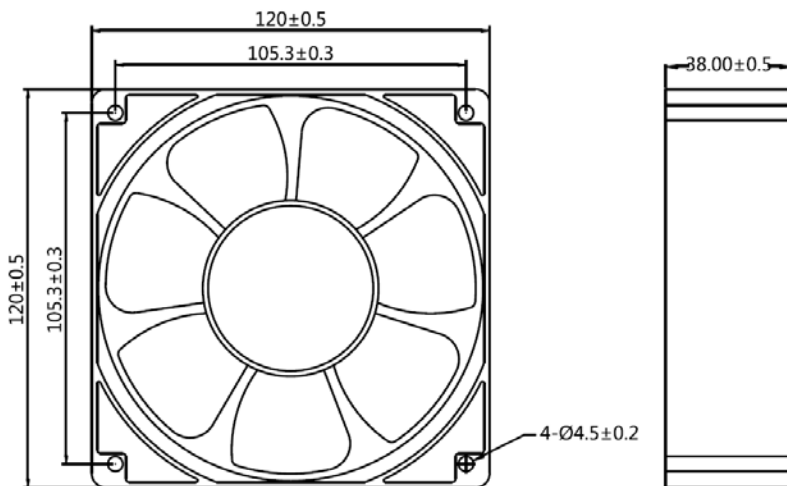


# □120x120x38 mm

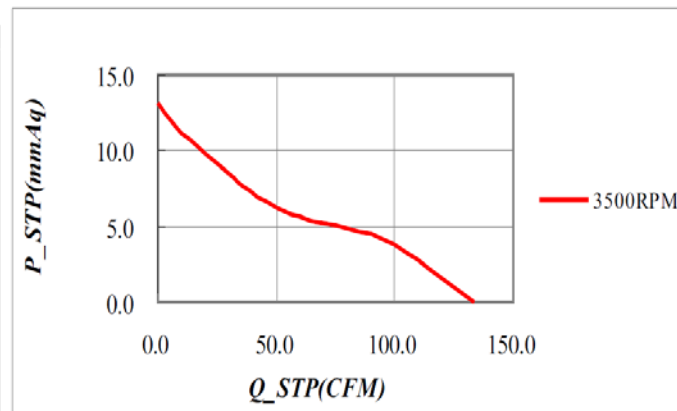


**Frame:** Thermoplastic PBT UL 94V-0  
**Impeller:** Thermoplastic PBT 94V-0  
**Ambient Temperature Range:** -10°C ~ +70°C  
**Bearing:** Ball or Sleeve  
**Termination:** Terminals or Lead wire  
**Weight:** 301 g

## Dimension (units:mm)



## Characteristic Curves



## SPECIFICATION

Model	Voltage (V)	Operating Range(V)	Freq. (Hz)	Power (W)	Speed (RPM)	Air Flow (CFM)	Air Flow (m3/min)	Pressure (in-H2O)	Noise (dB)
CYE11238HB	110	80-135	50/60	15	3500	133	3.8	0.52	52
CYE21238HB	220	180-265							

- If you want another RPM or Voltage or Functions which not in the list. Please contact with us. We can customize for you.
- Specifications are subject to change without notice.

EC Axial Fan